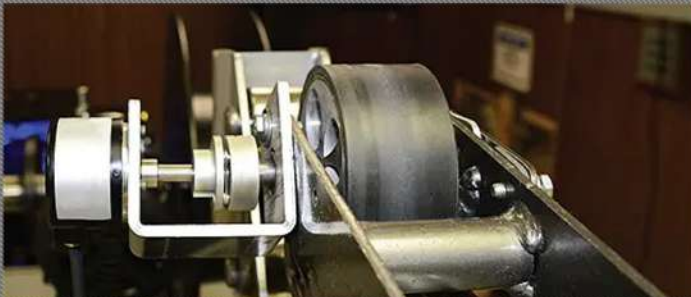


Hoshyar Sanat Spadana

Manufacturer of medical equipment, automation and precision instruments
Member of Isfahan Science and Technology Town(ISTT)
Providing research and development, production and industrial automation services





HOOSHYAR

Hooshyar Sanat Spadana

was established in Isfahan in 2018 to produce high-quality Iranian products in field of medical equipment, automation and precision instruments. We offer our customers advanced technology products and solutions with our expert and experienced engineering team.

Hooshyar Sanat Spadana's R&D and manufacturing facilities are located in Isfahan Science and Technology Town (ISTT). Our main products are incremental and absolute rotary encoder, Temperature and humidity transmitter, Hospital bed controller, Controller for Hydroponic culture room and fruit dryer machines.

At Hooshyar Sanat Spadana, we product for you, in addition provide research and development services, industrial automation and customization.



INCREMENTAL ROTARY ENCODER

series IN50

- incremental encoder
- UP to 300 Khz output
- Operating temperature -10°C +100°C



MECHANICAL SPECIFICATIONS

Dimensions:	see drawing
Shaft:	Ø 6, 8, 10, 12, 15, 20 mm
Shaft loading (axial and radial):	20 N max
Shaft rotational speed:	1500 rpm max
Bearings life:	10 ⁹ rev. min.
Weight:	~ 0.2 Kg

ELECTRICAL SPECIFICATIONS

Power supply:	6-24v DC
Protection:	against inversion of polarity against short circuit
Output pulse:	A, B, Z (According to coding) A, B, Z, /A, /B, /Z A, B U, V, W

Digital output Resolution:	14 bit (0.08 Deg)
PPR:	25, 50, 100, 200, 256, 300, 400, 500, 512, 1000, 1024
Output frequency:	UP to 300 Khz

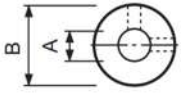
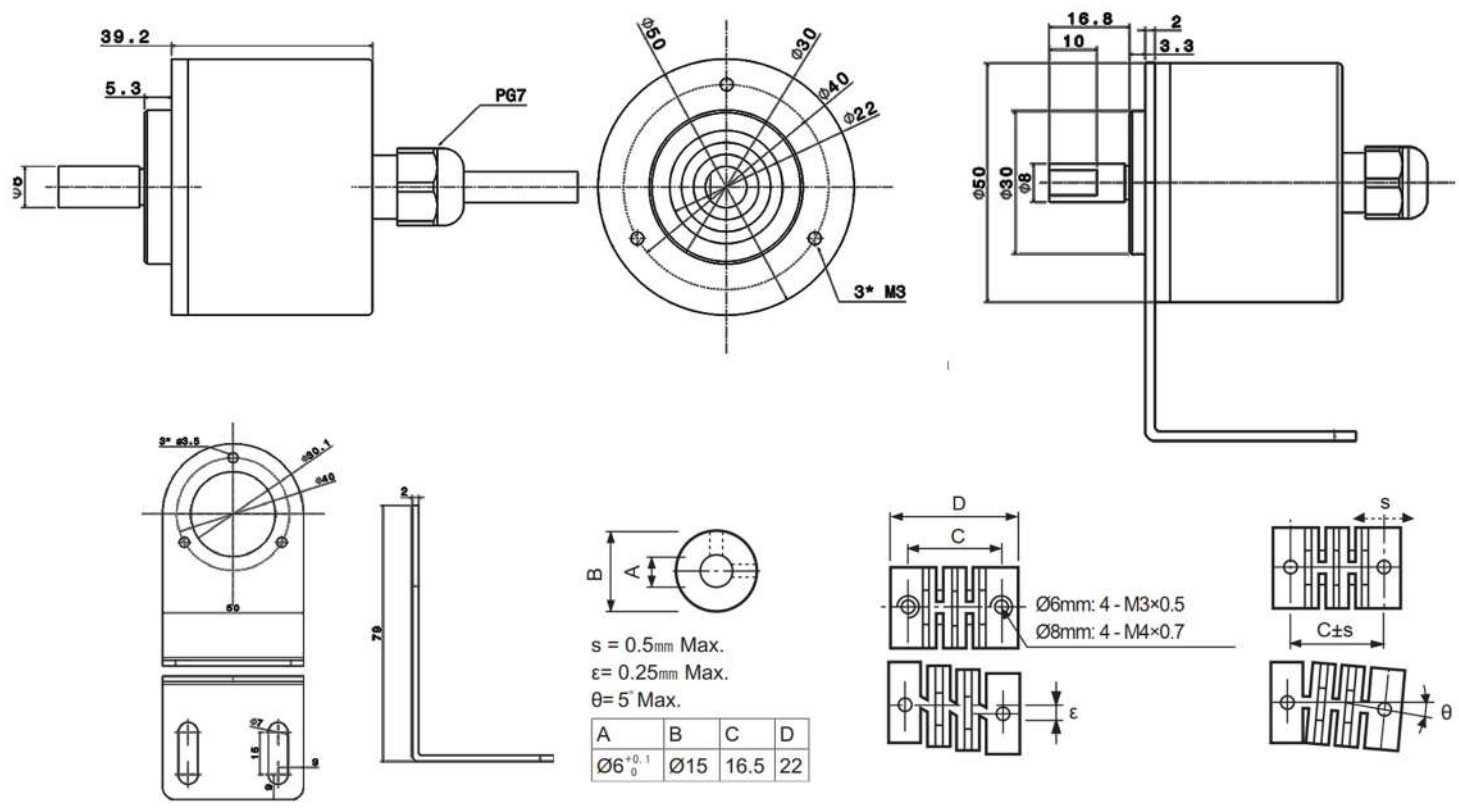
MATERIALS

Flange:	Aluminum 7000
Housing:	Metal
Bearings:	608 2RS
Shaft:	stainless steel, non-magnetic



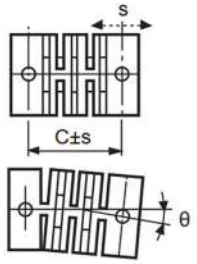
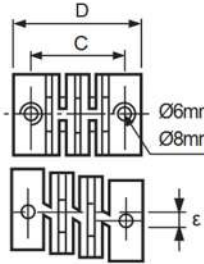
ELECTRICAL CONNECTIONS

A:	Green
B:	Yellow
Z:	Red
/A:	White
/B:	Black
/Z:	Gray
0V:	Blue
VCC:	Brown
SHIELD:	N.C



s = 0.5mm Max.
 ϵ = 0.25mm Max.
 θ = 5° Max.

A	B	C	D
$\varnothing 6^{+0.1}_0$	$\varnothing 15$	16.5	22



ORDER CODE

XX - X - X - X - X - X - X - X - X - X - XXXX

TYPE
 AS: Absolute
 IN: Incremental ✓

Shaft type
 R: Radial solid ✓
 H: Blind hollow
 T: Trough hollow

Supply
 5: 5 V_{DC}
 24: 6~24 V_{DC} ✓
 36: 5~36 V_{DC}
 42: 12~42 V_{DC}

Shaft diameter_(mm)
 e.g., 4, 6, 8, 10, ...

Housing diameter_(mm)
 e.g., 50, 85, 100, ...

Flange diameter_(mm)
 e.g., 50, 65, 85, 120, ...

Output type
 LI: Line drive
 TO: Totem pole ✓
 PN: PNP
 NP: NPN
 C3: Analog current_(3wire)
 C4: Analog current_(4wire)
 VO: Analog voltage
 DT: Data (according to option)

PPR / Resolution
 PPR: e.g., 25, 50, ..., 1024 ✓
 RS: e.g., 512, 1024, 2048, ...
 0420 4~20 mA
 0010 0~10 V

Flange type
 B: Blind ✓
 S: Socket weld
 W: Weld neck

Connector
 L1: Cable 1m ✓
 L2: Cable 2m
 DX: DBX (e.g., DB9)
 MX: Mil (e.g., MIL9)
 TX: Terminal (e.g., T3)

ADDITIONAL CODE



ABSULOTE ROTARY ENCODER

series AS58/AS58H

- Data absolute encoder
- Compatible by wide protocol
- Operating temperature -10°C +80°C



MECHANICAL SPECIFICATIONS

Dimensions:	see drawing
Shaft:	Ø 6, 8, 10, 12, 15, 20 mm
Shaft loading (axial and radial):	20 N max
Shaft rotational speed:	1500 rpm max
Bearings life:	10 ⁹ rev. min.
Weight:	~ 0.1 Kg (single turn) ~ 0.2 Kg (multi turn)

ELECTRICAL SPECIFICATIONS

Power supply:	6-24v DC
Protection:	against inversion of polarity against short circuit
Output protocol: (According to coding)	Profibus, Modbus, SSI, Parallel
Digital output Resolution:	14 bit (single turn) 28 bit (multi turn)
Output frequency:	UP to 1Mb/sec

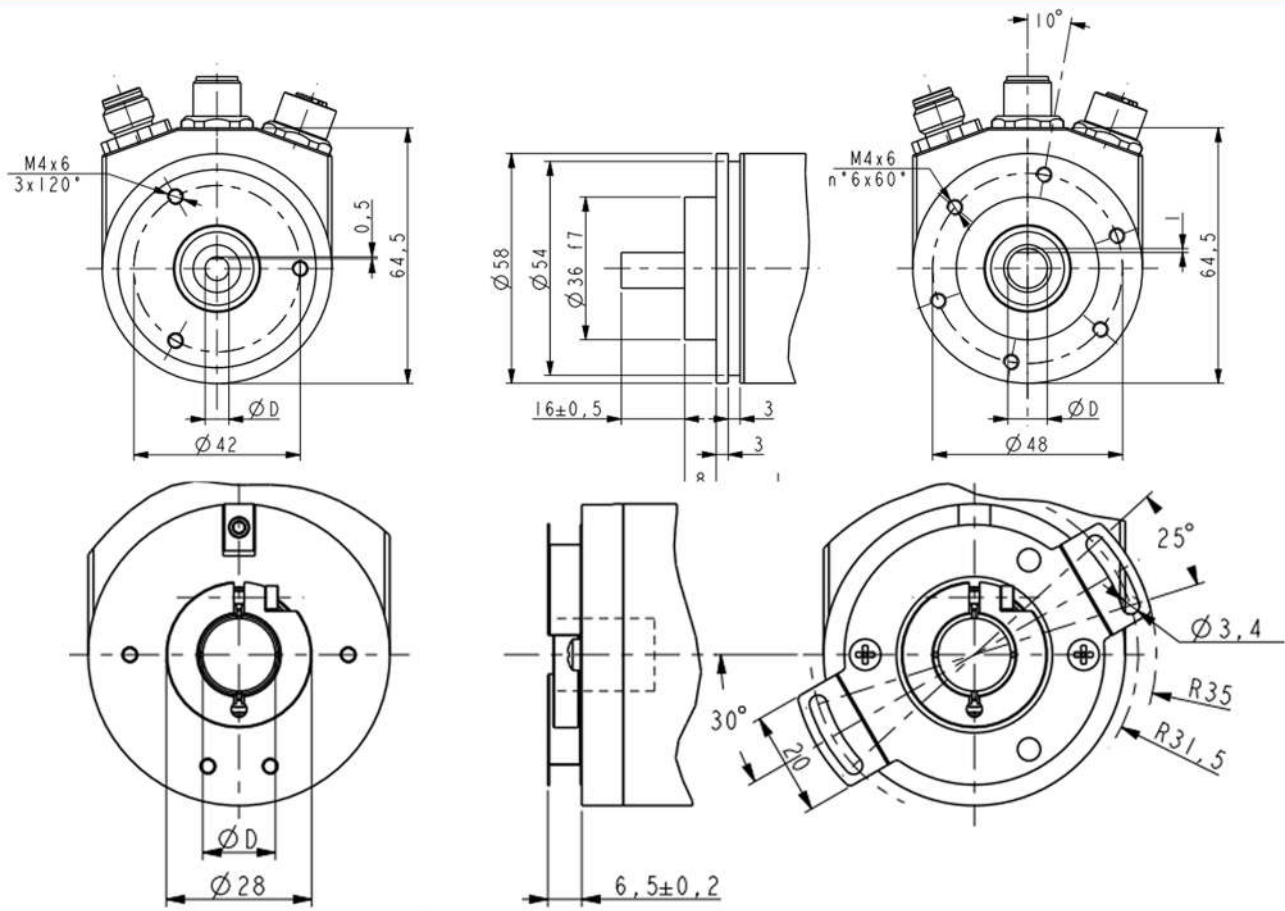
MATERIALS

Flange:	Aluminum 7000
Housing:	Aluminum
Bearings:	608 2RS
Shaft:	stainless steel, non-magnetic

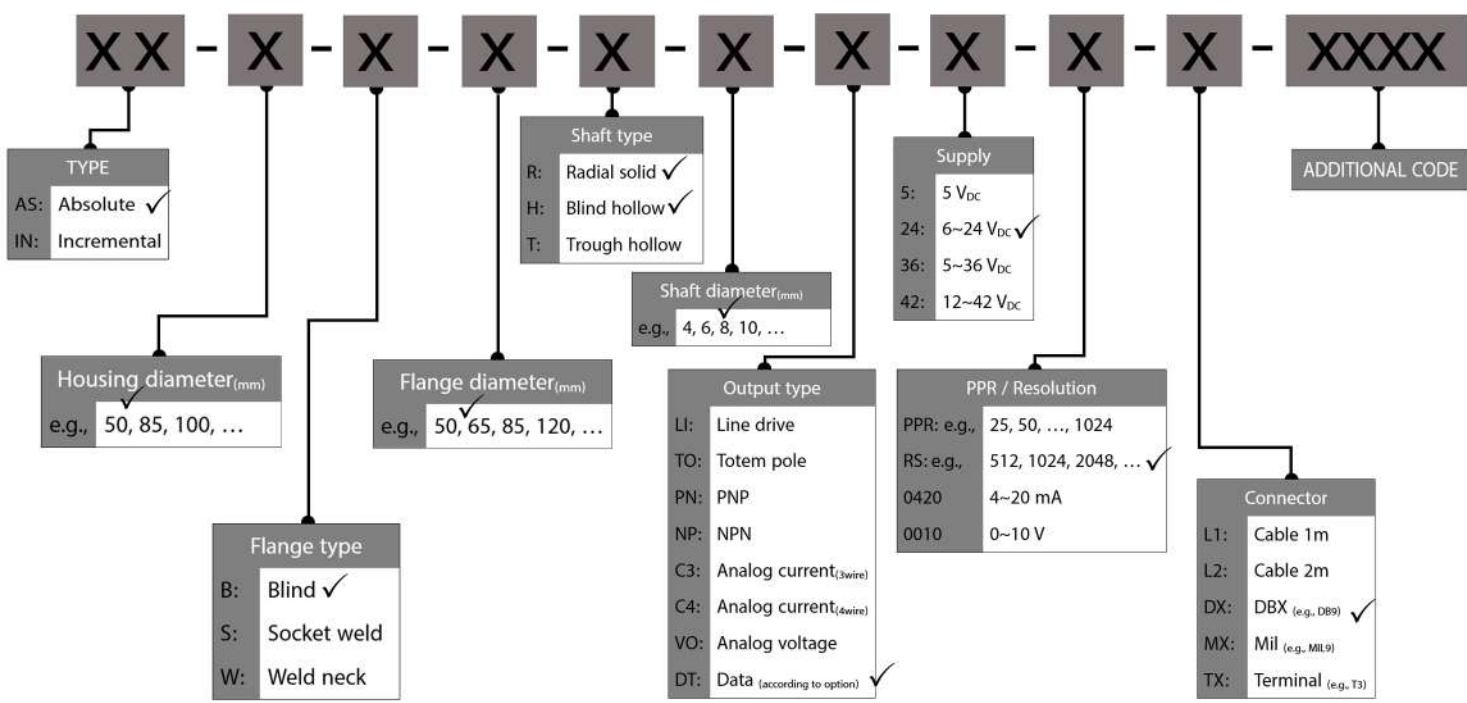


ELECTRICAL CONNECTIONS

Refer to the user guide



ORDER CODE



ABSOLUTE ROTARY ENCODER

series AN100

- Heavy duty absolute encoder
- Stable analog output
- Operating temperature -10°C $+100^{\circ}\text{C}$



MECHANICAL SPECIFICATIONS

Dimensions:	see drawing
Shaft:	\varnothing 6, 8, 10, 12, 15, 20 mm
Shaft loading (axial and radial):	20 N max
Shaft rotational speed:	1500 rpm max
Bearings life:	10^9 rev. min.
Weight:	\sim 1.5 kg

ELECTRICAL SPECIFICATIONS

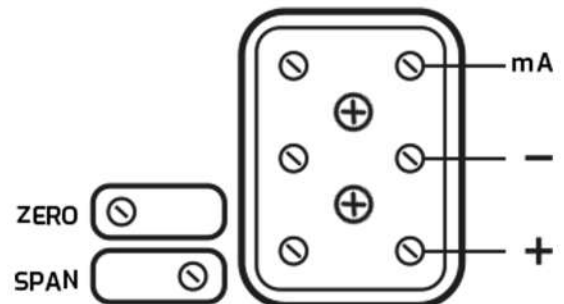
Power supply:	6-35v DC
Protection:	against inversion of polarity
Output:	Analog 4-20/ (0-20) mA
(According to coding)	Analog 0-10 V
Digital output Resolution:	14 bit

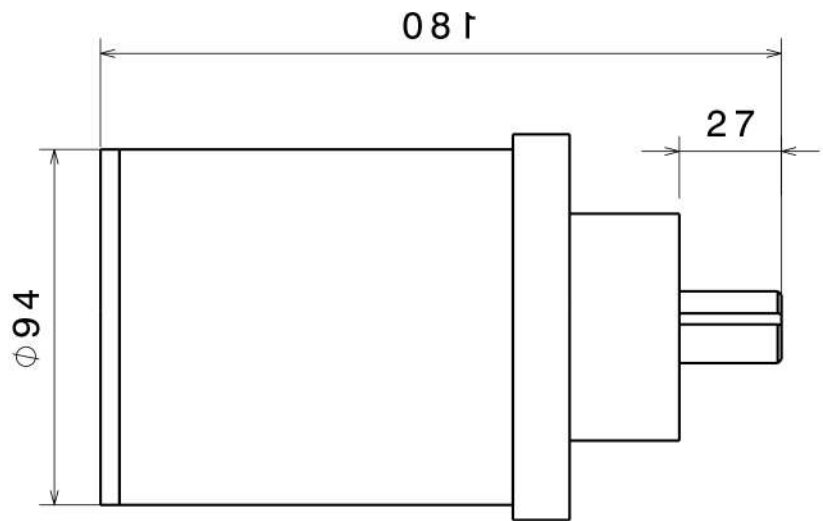
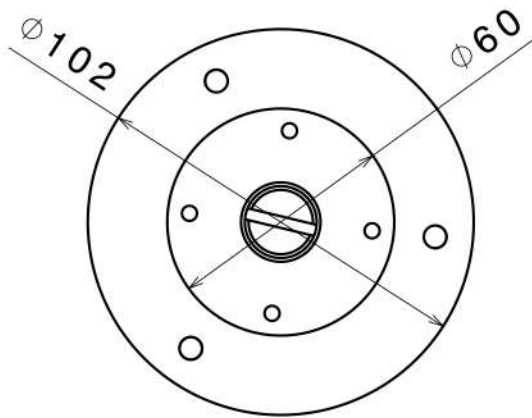
MATERIALS

Flange:	Aluminum 7000
Housing:	Metal
Bearings:	6004 2RS
Shaft:	stainless steel, non-magnetic

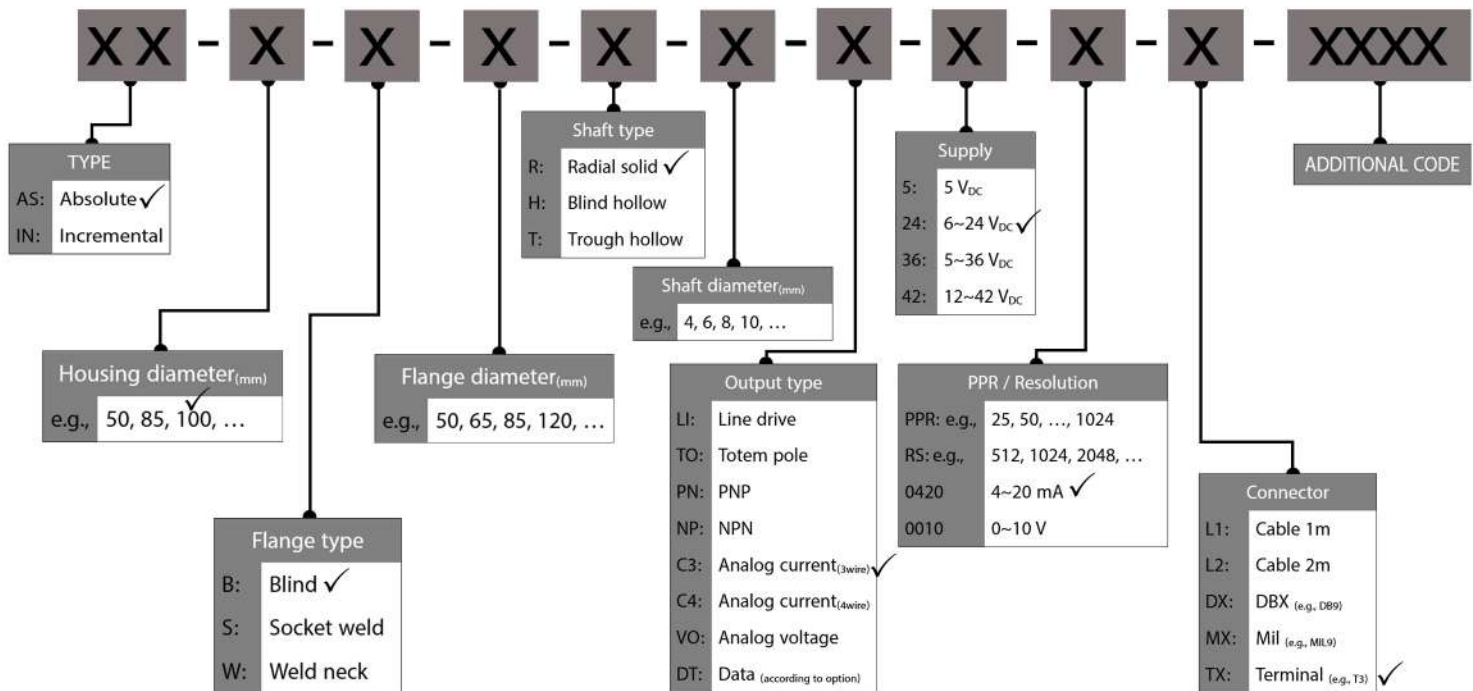


ELECTRICAL CONNECTIONS





ORDER CODE



PROGRAMMABLE ROTARY ENCODER

series PG60

- programable absolut, incremental encoder
- programable by PC & PLC
- Operating temperature -10°C +85°C



MECHANICAL SPECIFICATIONS

Dimensions:	see drawing
Shaft:	Ø 6, 8, 10
Shaft loading (axial and radial):	20 N max
Shaft rotational speed:	1500 rpm max
Bearings life:	10 ⁹ rev. min.
Weight:	~ 0.1 Kg

ELECTRICAL SPECIFICATIONS

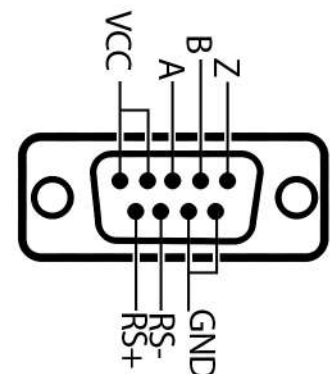
Power supply:	6-24v DC
Protection:	against inversion of polarity against short circuit
Output protocol:	Modbus, A ,B ,Z
Digital output Resolution:	14 bit ABSOLUT Up to 2048 ppr
Output frequency:	Up to 19200 bps

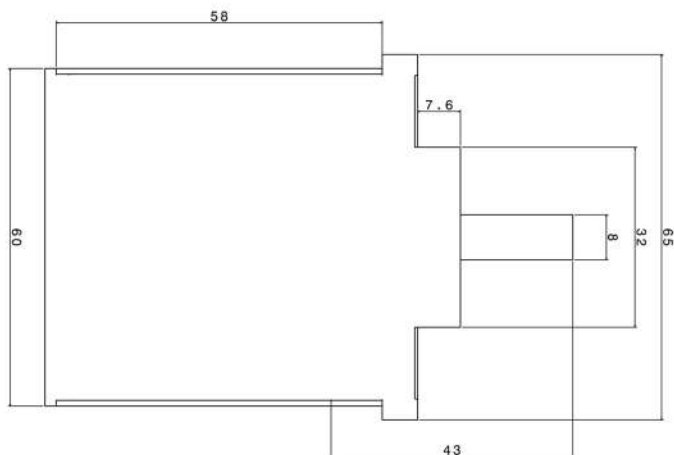
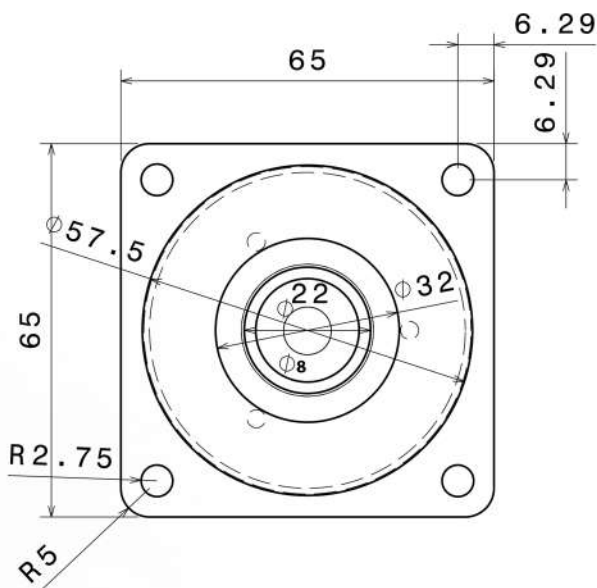
MATERIALS

Flange:	Aluminum 6063
Housing:	Aluminum
Bearings:	608 2RS
Shaft:	stainless steel, non-magnetic

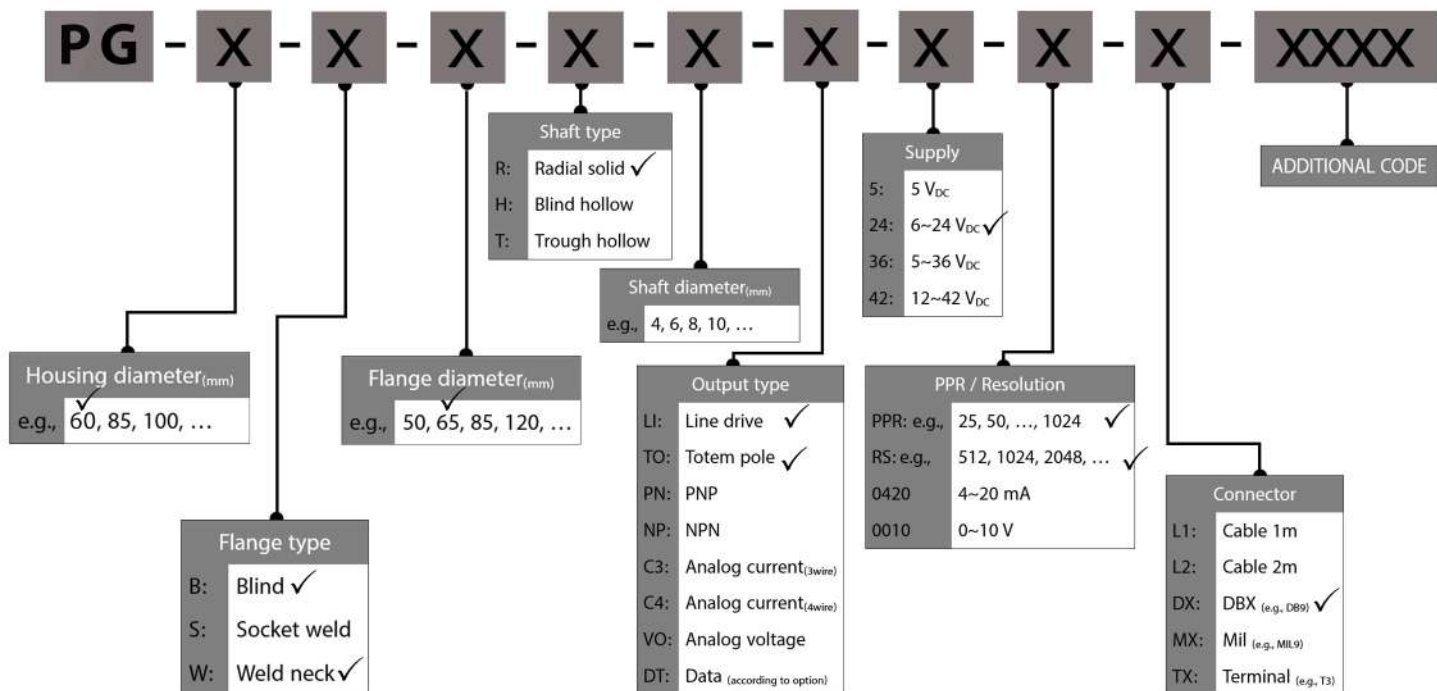


ELECTRICAL CONNECTIONS





ORDER CODE





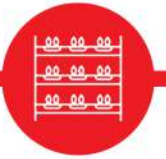
Humidity and Temperature Transmitter

- up to 14 bit resolution
- modbus and analog output
- 5~24 volt supply
- 0~80 °C ± 0.3



Hospital Bed Controller

- up to 4 linear actuator
- Input and Output protection
- 220 volt supply
- Rechargeable and UPS ability



Hydroponic Grow Room Controller

- Temperature control
- Humidity control
- Irrigation control
- Light control
- up to 8 isolate output
- Specific production
- 5~48 volt supply
- Output protection
- Character LCD interface

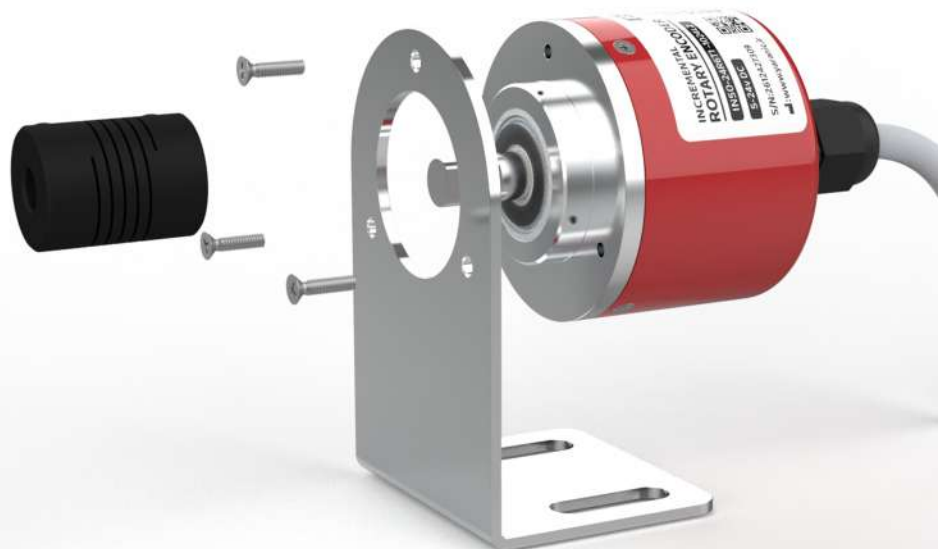


هوشیار صنعت اسپادانا

در سال ۱۳۹۶ با هدف تولید محصولات دانش بنیان ایرانی باکیفیت در زمینه تجهیزات پزشکی، اتوماسیون و ابزار دقیق در اصفهان تاسیس شد. ما به مشتریان خود محصولات و راه حل های فناورانه را با تیم مهندسی متخصص و مجرب خود ارائه می دهیم.

واحد تحقیق و توسعه و تولید هوشیار صنعت اسپادانا در شهرک علمی و تحقیقاتی اصفهان واقع شده است. محصولات اصلی ما عبارت است از انواع انکودرهای چرخشی افزایشی و مطلق، فرستنده دما و رطوبت، کنترل کننده تخت بیمارستان، کنترل کننده اتاق کشت هیدروپونیک و دستگاه های خشک کن میوه.

ما در هوشیار صنعت اسپادانا علاوه بر تولید محصولات خدمات تحقیق و توسعه، اتوماسیون صنعتی و سفارشی سازی را نیز ارائه می دهیم.





 Hoshyar Sanat Espadana
No. 423, 11th St., Isfahan Science & Technology Town (ISTT)

 +98 31 3393 1263

 Info@yaranics.com

 WWW.YARANICS.COM